

Technical data sheet

TDS-PH032025

SCREW FOR ROOFING - 65 (+3) MM

Self drilling screw for fastening of roofing sheet to steel/wood

Nominal diameter	Ø4.2 mm
Length	L 65 (+3) mm
Head	LP™ (low profile) head with Phillips drive
Material	Carbon steel (C1016 - C1022)
Drill point	#2S
Drill capacity	Max. 3.0 mm (steel 280GD)
Washer	Ø16mm M-washer in aluminium vulcanized EPDM rubber
Surface treatment	Electroplated, 7 µm zink with blue chrome passivation
Service class	2 (acc. EN 1995-1-1)
Corrosion category	C2 (acc. EN ISO 12944-6)

Technical characteristics

The carrying capacity is calculated in accordance to the current standards. The tensile capacity for the connection are the minimum values of the pullout values and the tensile resistance of the screw. The head pull-through resistance is not taken into account.

These theoretical values must be considered indicative since the conditions of the construction site may vary. Practical tests of the specific application are recommended for verification of the listed values.

Assumptions

Supporting object: Steel S280GD - EN 10346

Supporting object: Structural timber, C24 ($\rho_k = 350 \text{ kg/m}^3$)

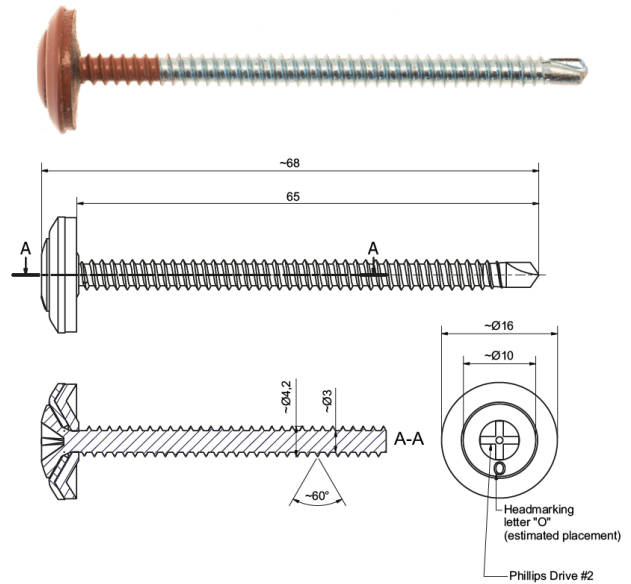
Fixed object: Roofing sheet

L_g = Setting depth of in the supporting object [mm]

F_{Rd} = Design resistance [kN]

¹ The values are in kN (1kN \approx 100kg)

Safety factor: $\gamma_M = 1.35$, $k_{mod} = 0.90$



Tensile Capacity in steel

L_g	1.0	1.5	2.0	2.5	3.0
F_{Rd}	.50	1.09	1.46	1.82	2.18

Tensile Capacity in wood

L_g	20.0	25.0	30.0	35.0
F_{Rd}	1.10	1.34	1.58	1.82

This TDS was made based on currently available information. Product was made in accordance with above mentioned parameters, but producer/distributor can't anticipate any future change as well as change of regulations. It is the consumer's responsibility to use the product in accordance to producer/ distributor recommendations and his needs. All the claims will be considered with respect to application recommendations issued by Onduline company but see terms and conditions. .

OFIC Philippines Inc

#73 Bayani Road, Unit 2 Heinen Building, AFPPHOVAI Phase II Western Bicutan, Taguig City Philippines 1630

Onduline®
Lightweight roofing systems